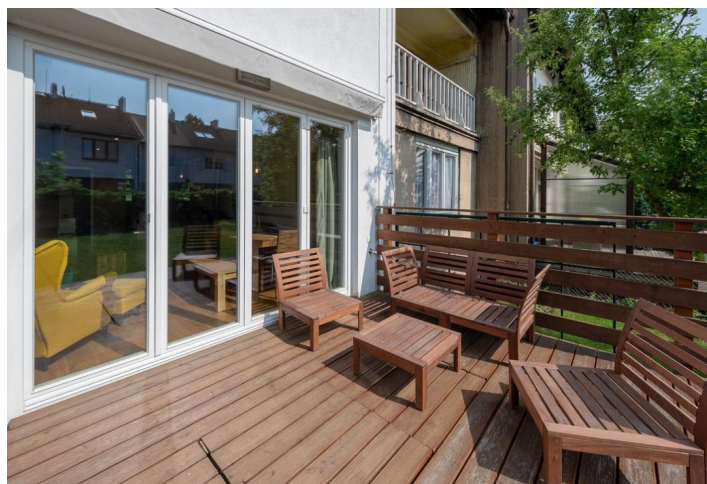




Apartment Three-bedroom (4+kk)

Ask for price

127 m², Prague 10, Strašnice, Solidarity

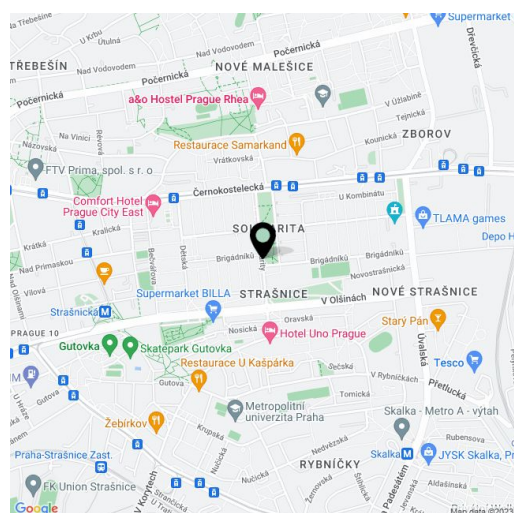




Apartment Three-bedroom (4+kk)

[Ask for price](#)127 m², Prague 10, Strašnice, Solidarity

Total area	127 m ²
Garden	92 m ²
Parking	-
Cellar	-
Reference number	100976



This completely renovated apartment with the parameters of a family house with a cozy interior and a west-facing landscaped garden is located in one of the greenest parts of Prague's Strašnice district, within easy reach of all civic amenities and public transport stations.

The unit's ground floor consists of a living room, an adjoining kitchen with a window, an entrance hall, a separate toilet, and a closet. On the 1st floor are 2 bedrooms and a bathroom (with a bathtub, shower, and toilet). A large bedroom extends over the entire attic. The living room has access to the garden terrace.

Facilities include **wooden plank floors**, **wooden stairs**, built-in wardrobes, and a fully equipped kitchen. The **fireplace** in the living room creates a cozy atmosphere. The primary heating source is a gas boiler.

The residential district, with its **authentic atmosphere**, was built in the middle of the 20th century. It stands out for its **abundance of greenery**, streets lined with mature trees, and several nearby playgrounds. The building is located right next to **Na Solidaritě Park**, close to shops, cafes, a kindergarten, an elementary school, and a tram stop. A metro station (line A) is also within walking distance.

Floor area 127m², garden 92 m², plot of land 148 m².

The property is approved as a housing unit.

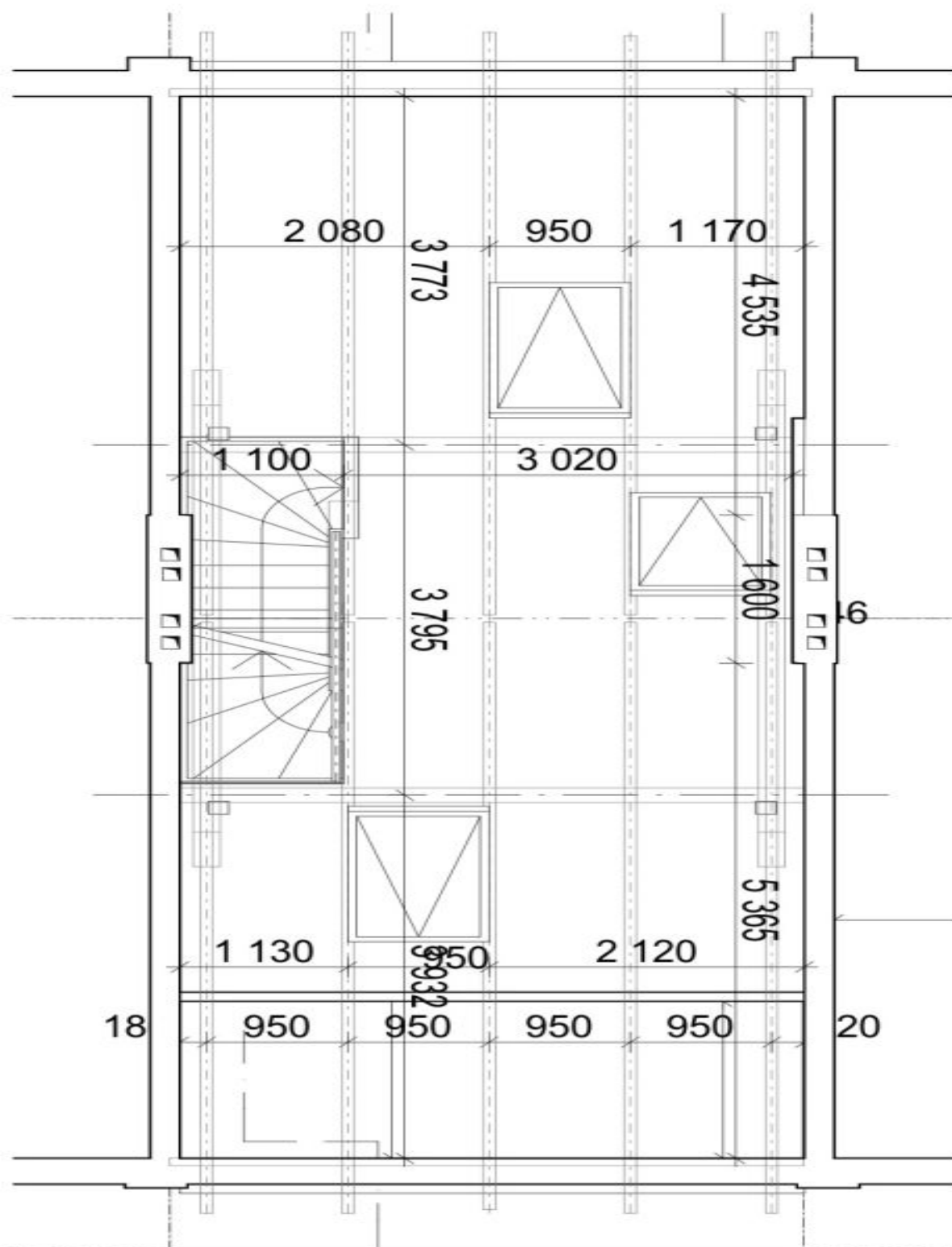
* Area of the unit according to the Civil Code. The area consists of the sum total area of the entire unit bounded by perimeter walls.



Apartment Three-bedroom (4+kk)

Ask for price

127 m², Prague 10, Strašnice, Solidarity

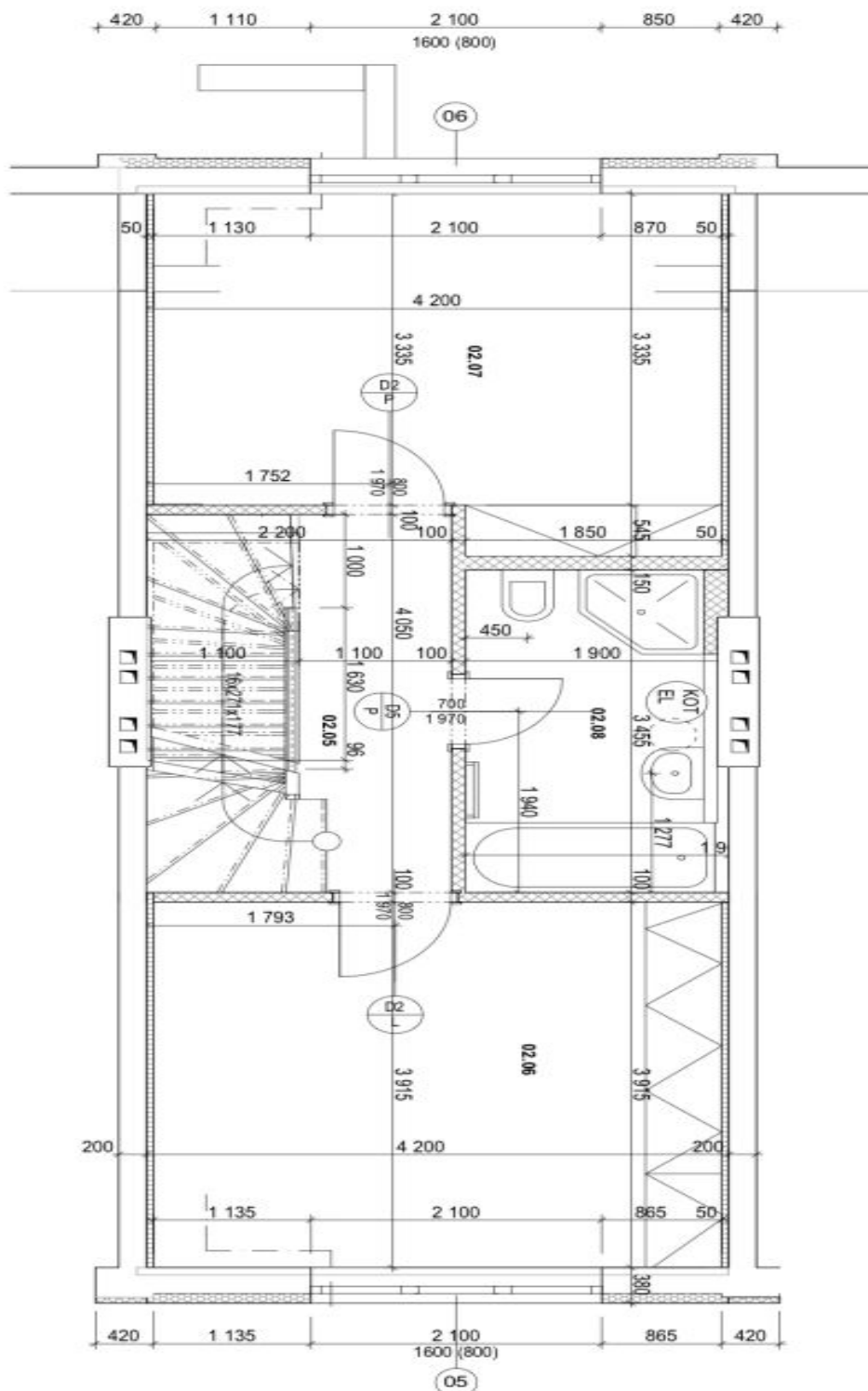




Apartment Three-bedroom (4+kk)

Ask for price

127 m², Prague 10, Strašnice, Solidarity



Tabulka místností 2.NP						
Číslo místnosti	Název místnosti	Plocha (m ²)	podlaha	skladba	stěny 1 radek	strop 1 radek
05	CHODBA	5,07	keram. dlažba, soklik 80	P4	om, VPC, štuk, 2x malba	om, VPC, štuk, 2x malba
06	POKOUJ	16,05	laminač. podl. šířka 50	P2	om, VPC, štuk, 2x malba	om, VPC, štuk, 2x malba
07	POKOUJ	14,68	laminač. podl. šířka 50	P2	om, VPC, štuk, 2x malba	om, VPC, štuk, 2x malba
08	KOUPELNA	6,14	keram. dlažba	P4	ker. obklad, v 2100mm	om, VPC, štuk, 2x malba
		41,94 m ²				

S

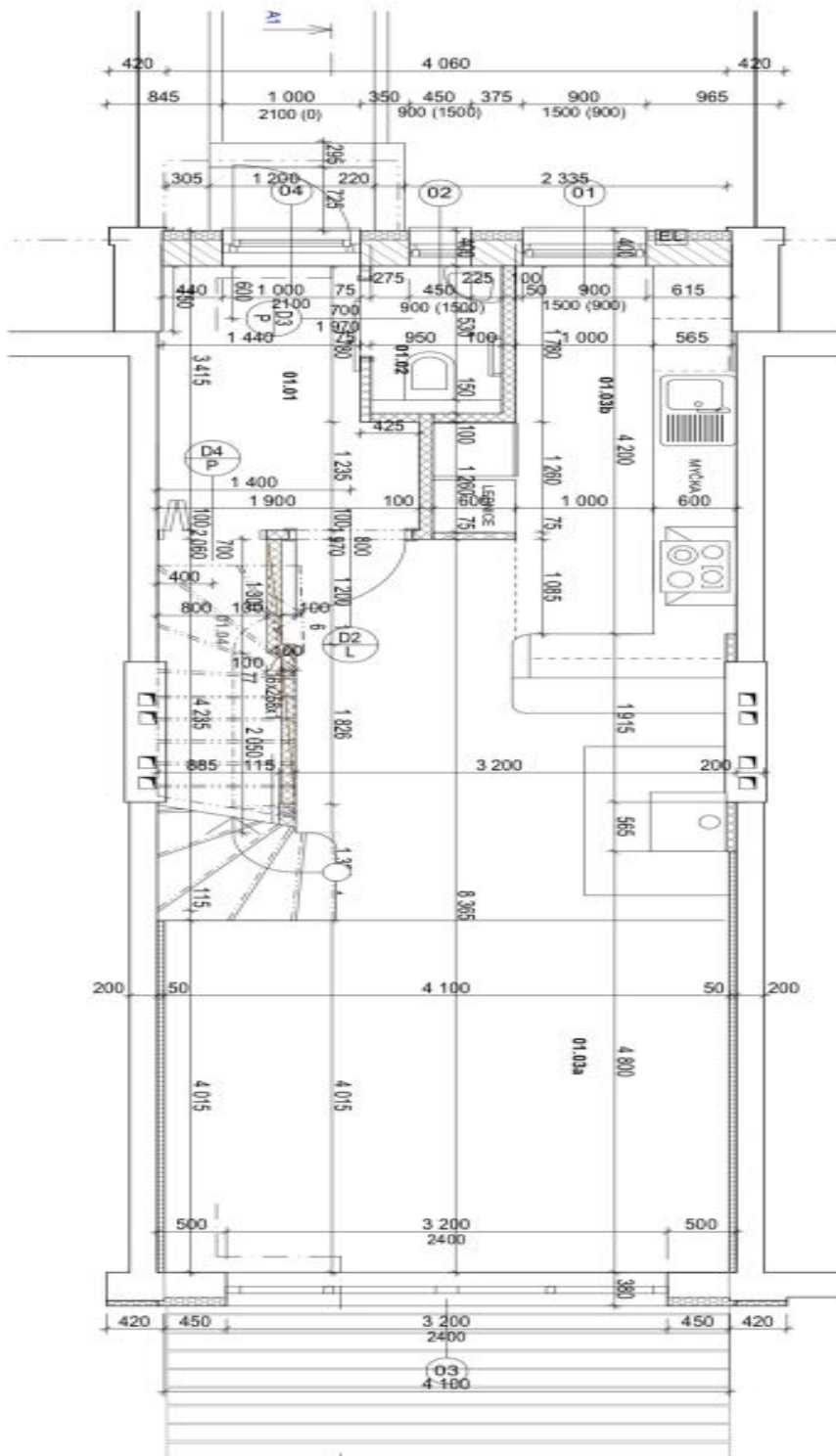




Apartment Three-bedroom (4+kk)

Ask for price

127 m², Prague 10, Strašnice, Solidarity



Tabuľka miestnosti 1.NP

číslo miestnosti	Název miestnosti	Plocha (m ²)	podlaha	skladba	steny 1 radok	strop 1 radok	poznámka
01	CHODBA	4,96	keram. dlažba, soklik 80	P4,1	om. VPC, štuk. 2x malba	om. VPC, štuk. 2x malba	
02	WC	1,36	keram. dlažba	P4,1	ker. obklad, v 2100mm	om. VPC, štuk. 2x malba	
03a	OBÝVAJACI POKOJ	28,33	parketová podlaha, lisa 50	P2,1	om. VPC, štuk. 2x malba	om. VPC, štuk. 2x malba	
03b	KUCH. KOUT	7,74	keram. dlažba, soklik 80	P4,1	om. VPC, štuk. 2x malba	om. VPC, štuk. 2x malba	obklad za kuch. k.
04	SKLAD	2,53	keram. dlažba, soklik 80	P4,1	om. VPC, štuk. 2x malba	schodistový drevený podhľad	snížená výška
		44,92 m ²					

